



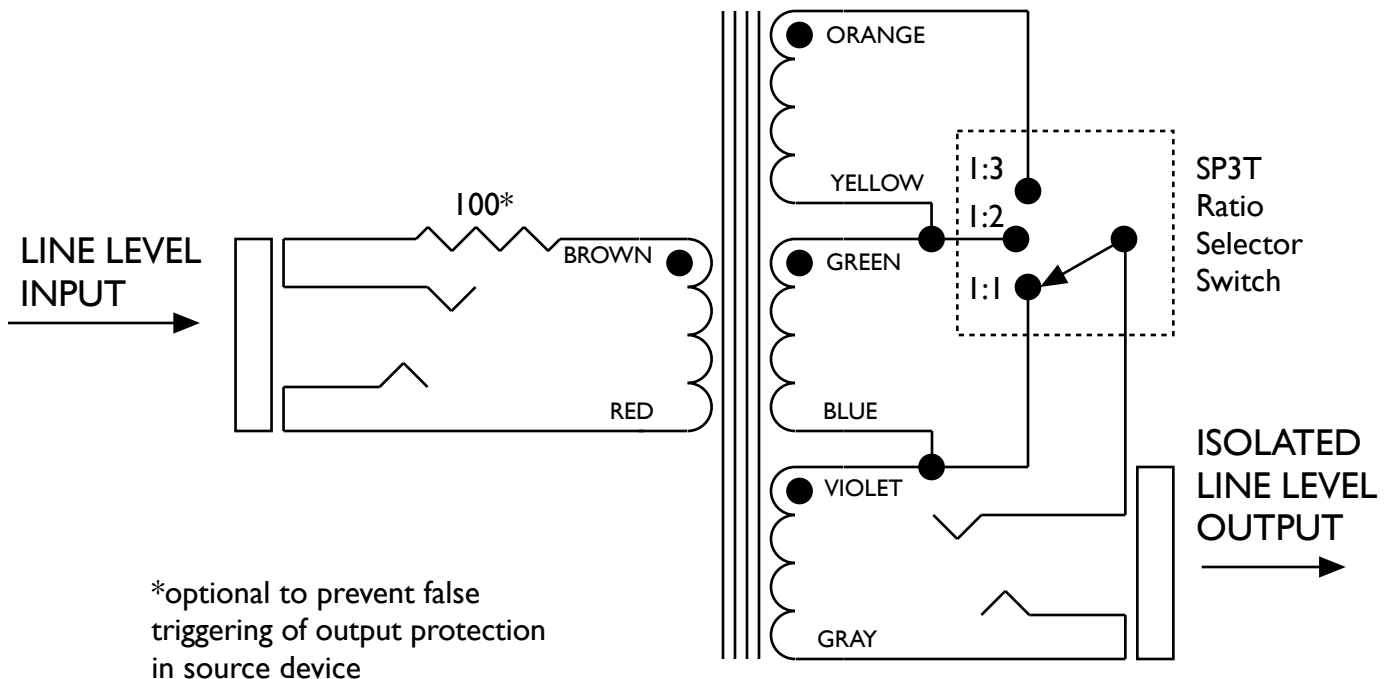
ENGINEERING DATA

VM630 Applications

I-Input x I-Output Selectable Step-Up Ratio

The VM630 series of transformers may be wired in several ways to meet various needs and application requirements.

In the schematic shown below the ratio from the line-level input to the output is selectable by a three-position switch. 1:1, 1:2 step-up, or 1:3 step-up may be selected. The step-up positions put a heavy load on the output of the source device feeding the transformer so an optional 100 ohm resistor has been included to prevent false triggering of output protection circuitry due to the low DCR of the line-level input. Input circuit impedance should be kept low and DC currents should be blocked from entering the transformer.



The application shown has been tested and works, however, it is provided for use, strictly at your own risk. Layered Audio shall not be held liable for damages resulting from the use or misuse of products and information.