



ENGINEERING DATA

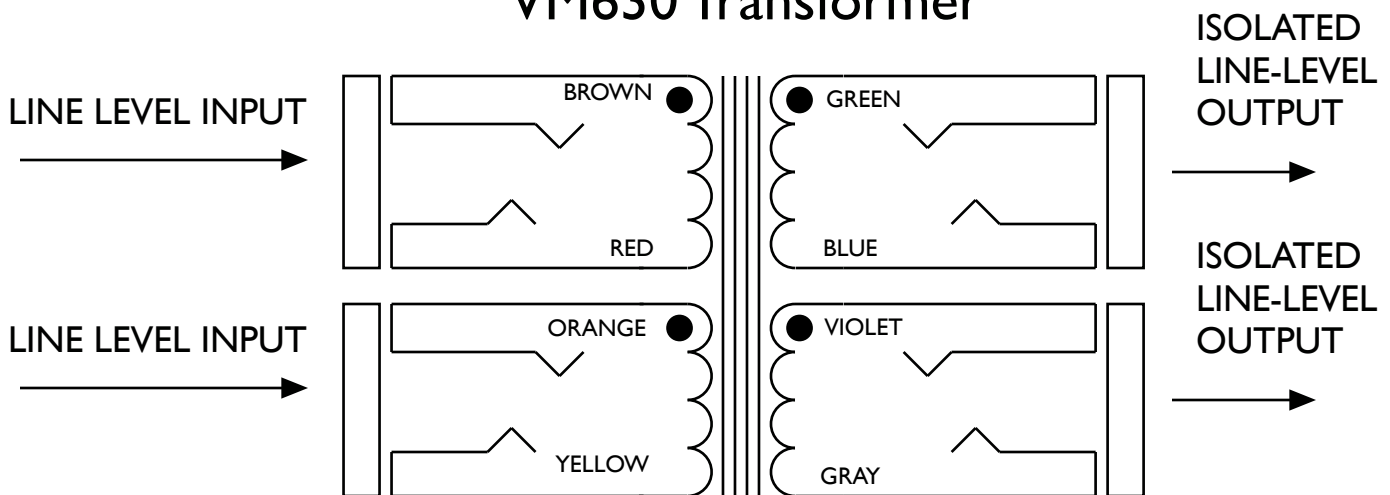
VM630 Applications

2 x1 Line Level Combiner With Dual Outputs

The VM630 series of transformers may be wired in several ways to meet various needs and application requirements.

In the schematic shown below the ratio from either line-level input to output is 1:1 (unity gain, less insertion loss). This wiring does not require use of both inputs or outputs, you may use one or two inputs and(or) outputs simultaneously. Input circuit impedance should be kept low and DC currents should be blocked from entering the transformer.

VM630 Transformer



The application shown has been tested and works, however, it is provided for use, strictly at your own risk. Layered Audio shall not be held liable for damages resulting from the use or misuse of products and information.