



ENGINEERING DATA

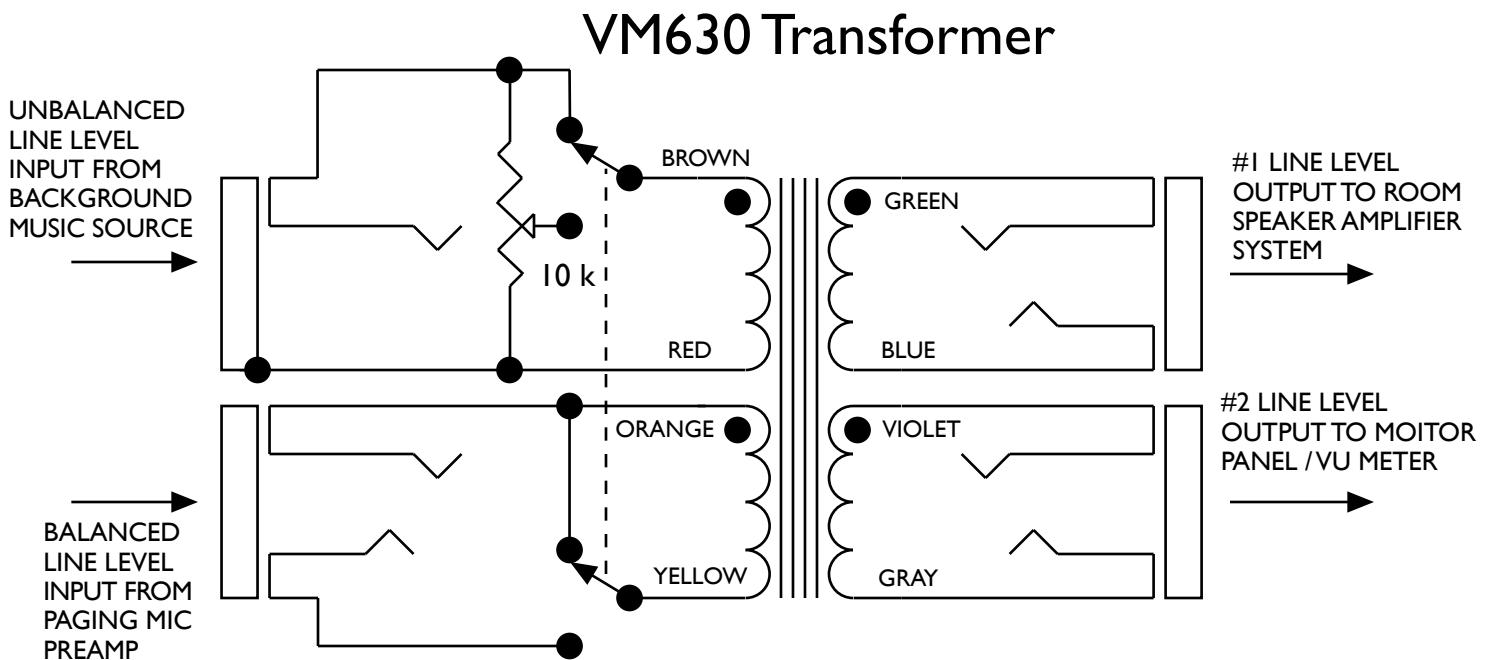
VM630 Applications

2 x1 Line-Level Combiner With Dual Outputs

For Paging and Background Music System

The VM630 series of transformers may be wired in several ways to meet various needs and application requirements. Using precision Layered Audio components can elevate the performance and sound quality of systems typically used for background music and paging announcements.

In the schematic shown below a VM630 transformer is used to combine the inputs from a background music source (typ. CD player or Sat receiver output) and a microphone preamplifier. When the DPDT switch is engaged the music will drop to a preset level set by the 10 k audio taper potentiometer. For remote switching a DC powered DPDT relay may be used as long as an appropriate snubber diode is implemented across the coil of the relay. Input circuit impedance should be kept low and DC currents should be blocked from entering the transformer.



The application shown has been tested and works, however, it is provided for use, strictly at your own risk. Layered Audio shall not be held liable for damages resulting from the use or misuse of products and information.